

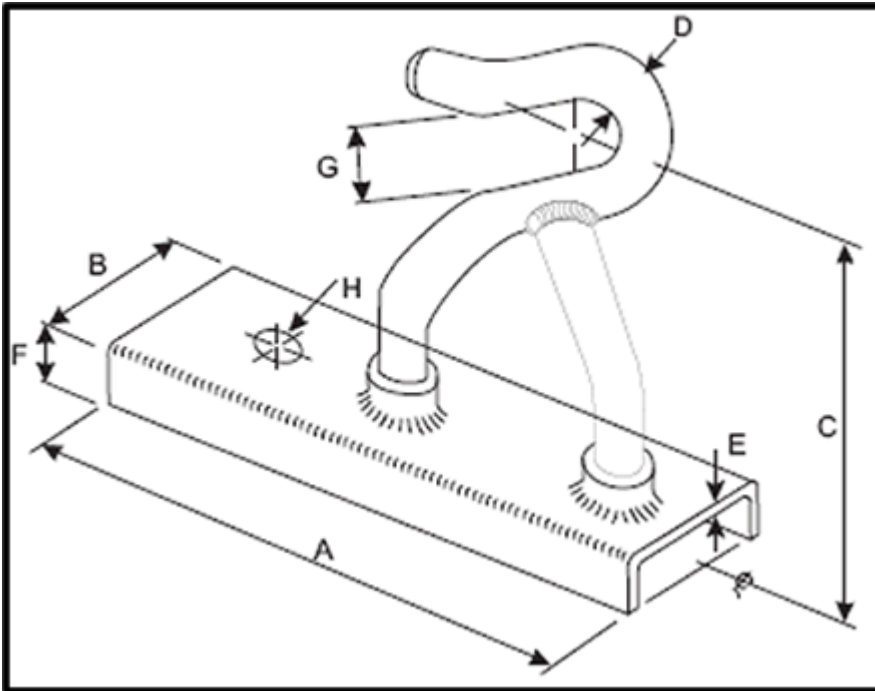
# ...JYD MATERIALES ELECTRICOS...

*JYD Materiales Eléctricos*

## Soporte de Suspensión



Â



CODIGO		CA1201	CA1202
DIMENSIONES	A	120	120
	B	48	52
	C	90	92

- High power motor and double gear reduction for increased durability and improved performance
- Mid-handle design and two finger trigger for increased balance and comfort
- Variable speed switch with lock-on button for continuous use
- **Includes:** Chuck key & holder

## **Specifications**

**4.0 AMPS**

**0-1,350 RPM**

**Capacity: 3/8" Steel, 1" Wood**

Â

[InformaciÃ³n](#)