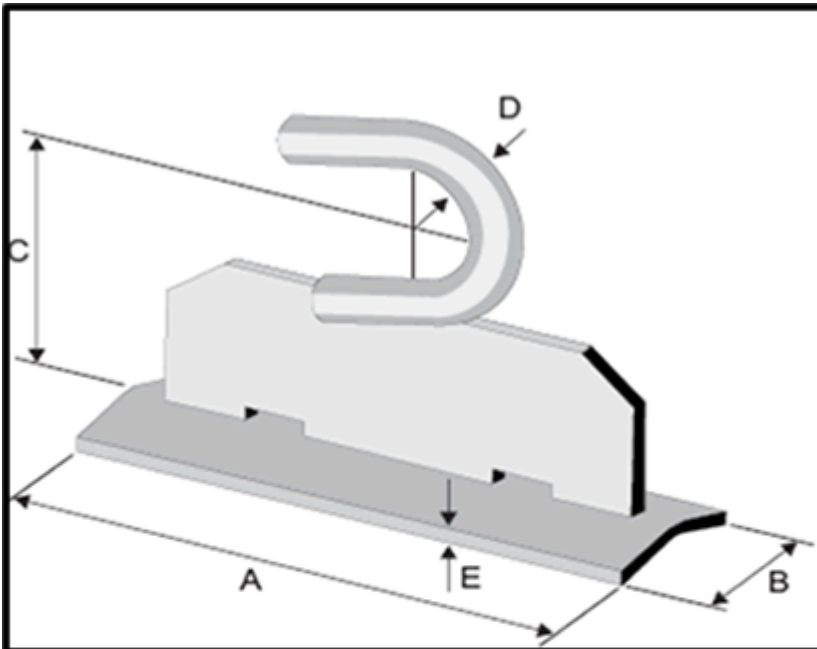


:::JYD MATERIALES ELECTRICOS:::

JYD Materiales Eléctricos

Plancha Gancho de Suspensión para Poste



CODIGO	DIMENSIONES (mm)					RESISTENCIA A LA TRACCION (KN)
	A	B	C	D	E	
CA0601	120	45	65	13	4.5	7.5
CA0602	120	45	85	16	4.5	15.0

- Patented Sightline; Window provides maximum visibility for straight cuts
- Adjustable dust chute for cleaner work area
- Bail handle for controlled cutting in 90° to 45° applications
- 1-1/2 to 2-1/2 lbs. lighter and 40% less noise than the average circular saw
- **Includes:** Carbide blade

Specifications

10.0 AMPS

4,300 RPM

Capacity: 2-1/16" at 90°, 1-3/4" at 45°

[Información](#)